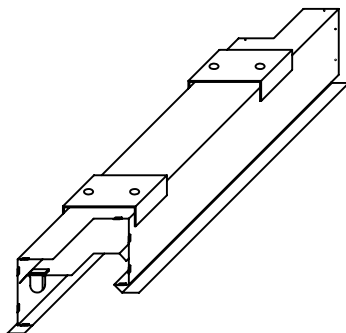


TL Cube 8 T8 / T5

Linear Direct Continuous Row

Recessed Flange / Grid / Trimless



FIXTURE TYPE	VOLTS
JOB INFORMATION	

Ordering Information

TL8



Mounting

F = Flange
G = Grid
T = No Trim



Nominal Size

2 = 24"
3 = 36"
4 = 48"
5 = 60"
6 = 72"
8 = 96"



Lamp Quantity

1



Lamp Output

14W 25W
17W 32W
21W 35W
24W 39W
28W 54W



Lamp Type

T5
T8



Voltage

120V
220V
347V



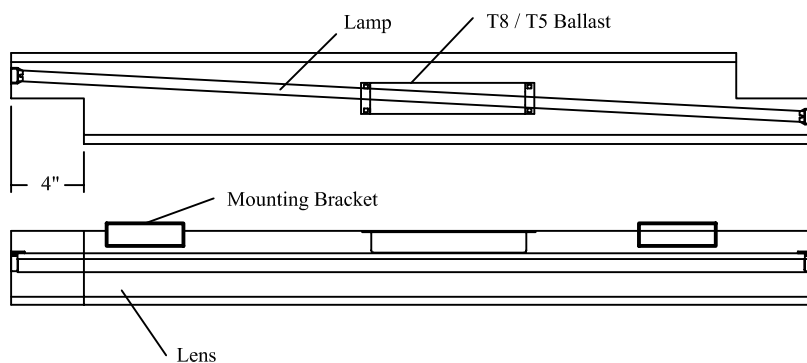
Ballast

IS = Instant Start
RS = Rapid Start
PS = Programmed Start
E = Electronic
M = Magnetic

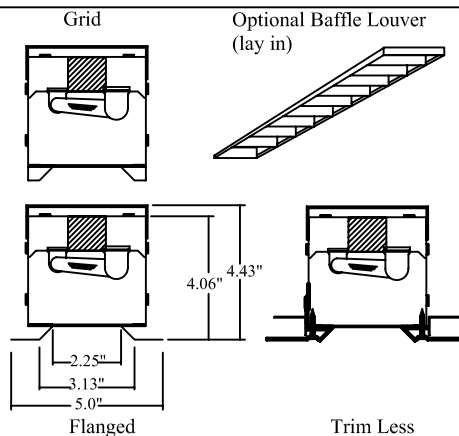


End Plate

EP = End Plate
2 Required per fixture run



Dimensions subject to change without notice



SPECIFICATIONS

Materials: Chassis - 22 ga. cold rolled steel post painted White powder coat finish
Custom colors and finish available
Reflector - Hi-Gloss white standard
Optional Miro 4 specular aluminum

Shielding: Mounting - 2 X Hanger Brackets Suitable to accept 2- 1/4" Rods (by others)
Continuous Acrylic Satin Frost White
Optional 1" Baffle Louver

Electrical: All wiring is non hygroscopic. Thermally protected class "P" ballast C.B.M. approved. Non PCB. If K.O. is within 3" of ballast, use wire suitable for at least 90 degrees.

Labels: cUL Listed