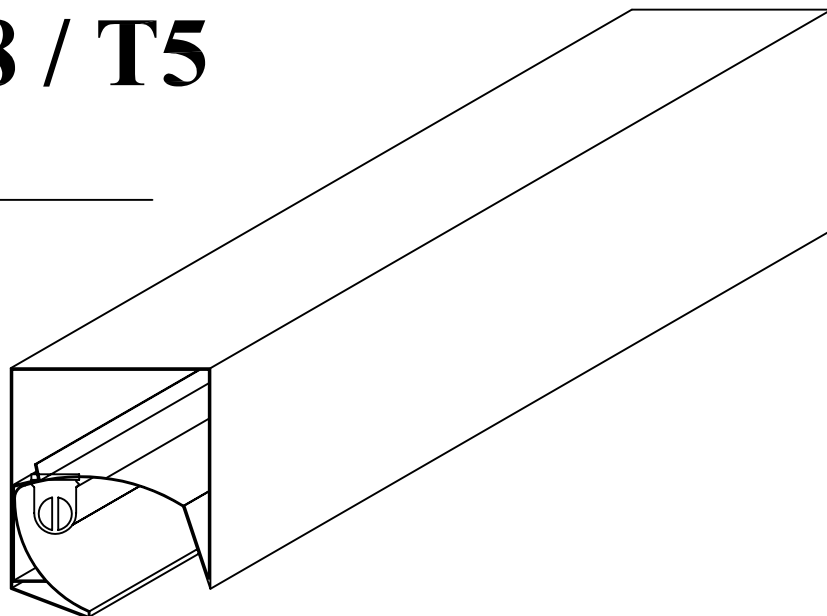


TL Cube 3 T8 / T5

Linear Direct

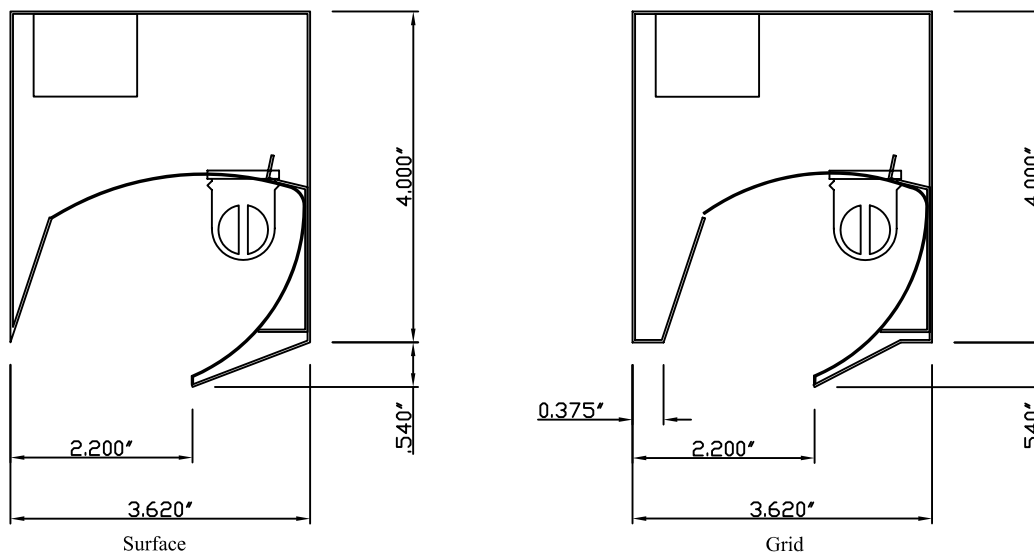
Surface / Recessed / Pendant / Wall



FIXTURE TYPE	VOLTS
JOB INFORMATION	

Ordering Information

TL3	<input type="text"/>	<input type="text"/>	<input type="text"/>	<input type="text"/>	<input type="text"/>	<input type="text"/>	<input type="text"/>	<input type="text"/>
	Mounting	Nominal Size	Lamp Quantity	Lamp Output	Lamp Type	Voltage	Ballast	Options
	F = Flange G = Grid S = Surface P = Pendant W = Wall	2 = 24" 3 = 36" 4 = 48" 5 = 60" 6 = 72" 8 = 96"	1	14W 25W 17W 32W 21W 35W 24W 39W 28W 54W	T5 T8	120V 220V 347V	IS = Instant Start RS = Rapid Start PS = Programmed Start E = Electronic M = Magnetic	



SPECIFICATIONS

Materials: Chassis - 22 ga. cold rolled steel post painted White powder coat finish
 Custom colors and finish available
 Reflector - Miro 4 specular aluminum

Electrical: All wiring is non hygroscopic. Thermally protected class "P" ballast C.B.M. approved. Non PCB. If K.O. is within 3" of ballast, use wire suitable for at least 90 degrees.

Labels: cUL Listed