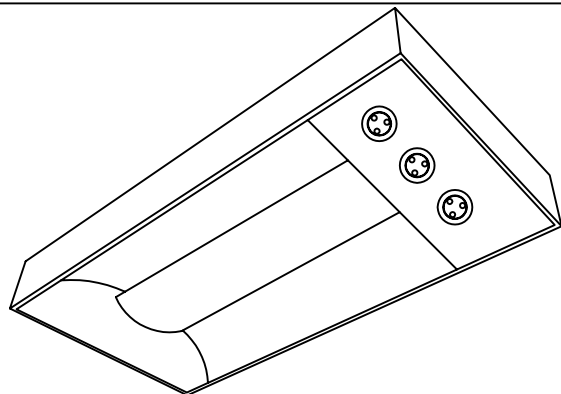


TML BED / EXAM Light

Multi Function Recessed or Surface Mount Direct / Indirect Luminaires



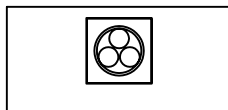
FIXTURE TYPE	VOLTS
JOB INFORMATION	

Ordering Information

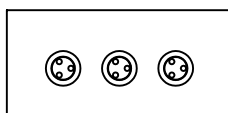
TML24									
Mounting	Lamp Qty	Lamp	Voltage	Shielding	Door Frame (option)	Exam Light	Night Light	Options	
F = Surface G = Grid F = Flanged	1 2 3 4	21 = 21w T5 39 = 39w T5 HO 40 = 40w Biax 50 = 50w Biax 55 = 55w Biax	120V 220V 347V	12 = .125" 18 = .187" 25 = .250"	18B = Brushed SS 18C = Painted CRS 18S = Painted SS	Type A B C	7 = 7w 9 = 9w L = LED	Consult Factory	

(see specifications below)

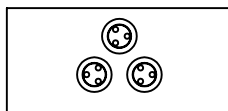
Exam Light



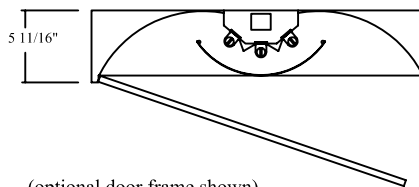
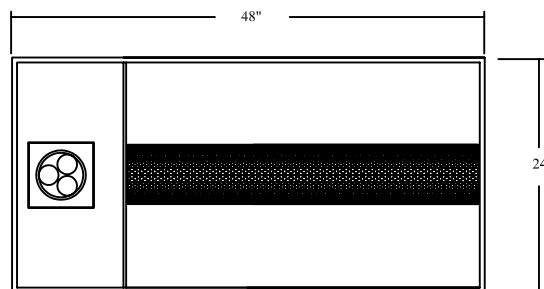
Type A
1 x Multi LED (3x1w)
Y Axis Rotation



Type B
3 x Single LED (3x1w)
Individual Rotation



Type C
3 x Single LED (3x1w)
Individual Rotation



(optional door frame shown)

SPECIFICATIONS

Materials: Chassis - 20 Gauge Steel Body
Shielding - Clear Polycarbonate

CRS = Cold Rolled Steel standard Optional Door Frame SS = Stainless Steel,

Reflector: Pre Coat Steel High Gloss

Finish: Chassis Exterior - Anodized or Baked powder paint. Colours on request.

Electrical: All wiring is non hygroscopic. Thermally protected class "P" ballast C.B.M. approved. Non PCB. If K.O. is within 3" of ballast, use wire suitable for at least 90 degrees.

Labels: cUL Listed