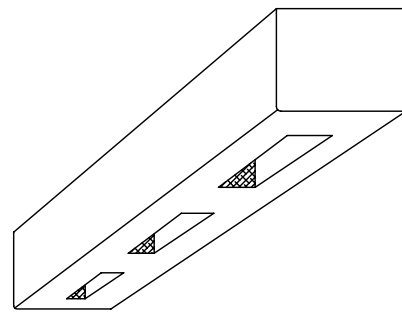
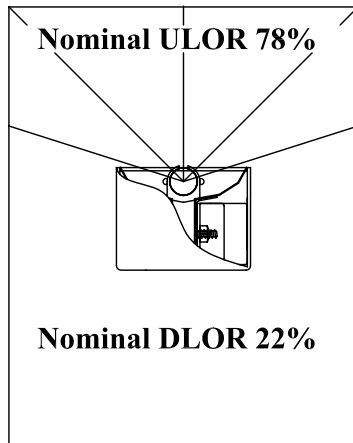
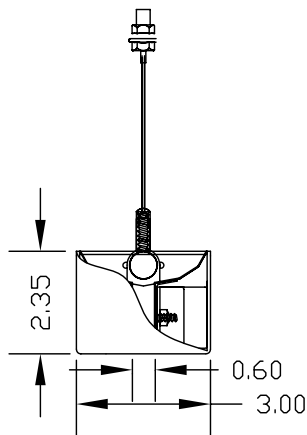


TL VER CITY

Linear Direct / Indirect

Pendant



| FIXTURE TYPE | VOLTS |
|-----------------|-------|
| | |
| JOB INFORMATION | |
| | |

Ordering Information

TL

V

T5

120

VER CITY

Nominal Size
2 = 24"
4 = 48"
8 = 96"

Section Detail

I = Individual
C = Continuous Center
E = Continuous End

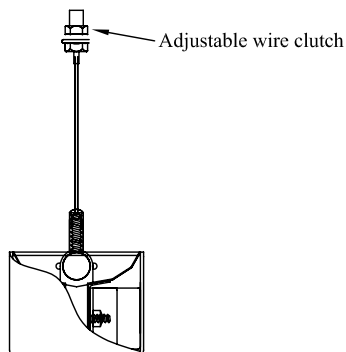
Lamp Type

Lamp Output

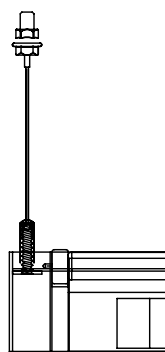
H = High Output
R = Regular Output

Voltage

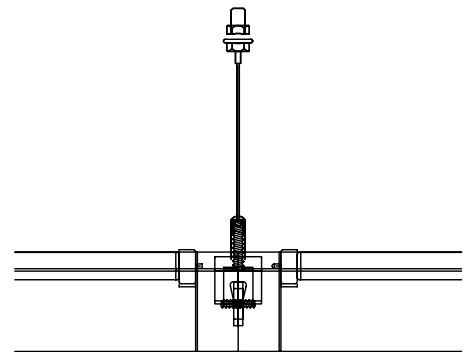
Options consult factory



Cross section



End Detail



Continuous detail

SPECIFICATIONS

Materials: Chassis - .076" one piece fabricated steel

Reflector: Aluminum high reflectance

Finish: Chassis Exterior - Baked powder paint. Colors on request.

Electrical: All wiring is non hygroscopic. Thermally protected class "P" ballast C.B.M. approved. Non PCB. If K.O. is within 3" of ballast, use wire suitable for at least 90 degrees.

Labels: cUL Listed