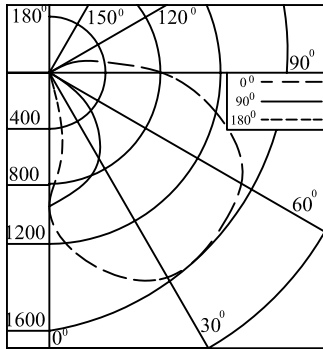
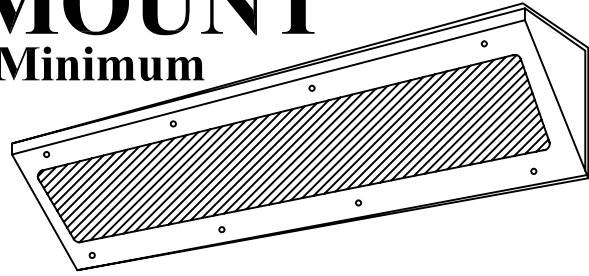


# TS"B" CORNER MOUNT

Super Max / Maximum / Medium / Minimum



coefficients of utilization — zonal cavity method

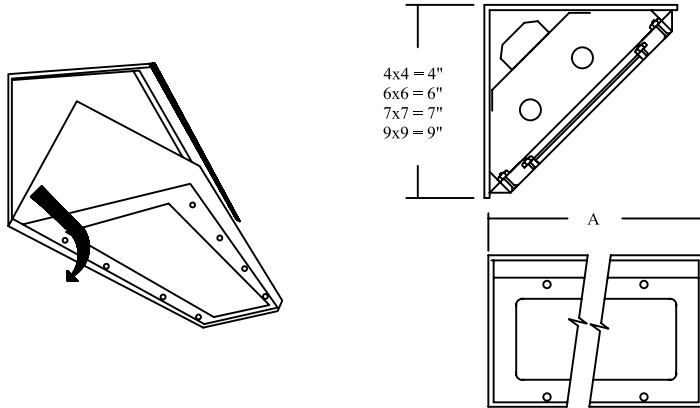
	RF	20	20	20
RC	80	70	50	50
RW	70	50	30	50
1	57	54	51	52
2	51	46	42	45
3	46	40	35	39
4	42	35	30	34
5	38	31	26	30
6	35	28	23	27
7	33	25	20	24
8	30	22	17	22
9	28	20	15	20
10	26	18	14	18

2 lamp 4' 120V energy saving T12

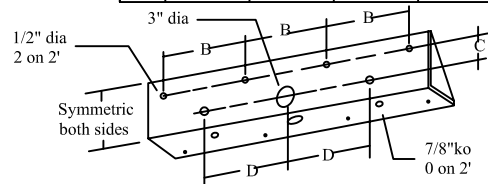
FIXTURE TYPE	VOLTS
JOB INFORMATION	

## Ordering Information

<b>TS</b>	<b>B</b>									
Corner Mount	Nominal Size	Length	Lens Environment Side	Overlay Lens	Lamp Quantity	Lamp	Voltage	Ballast	Options	
	4 = 4x4 6 = 6x6 7 = 7x7 9 = 9x9	1 = 1' 2 = 2' 3 = 3' 4 = 4'	S = Super Max X = Maximum D = Medium N = Minimum	12 = 1/8 Acrylic 15 = 0.152 Polycarb 18 = 0.187 Polycarb	1 2 3	14W 28W 17W 32W 21W 35W 24W 39W 25W 54W	120V 277V 347V	IS = Instant Start PS = Programed Start RS = Rapid Start	AH = Allen Head Screw EB = Emergency Battery NL = Night Light PO = Polycarbonate Overlay TG = Temper Glass	
									For other options Consult factory	



	A	B	C	D
1'	13 1/8" (333mm)	8" (203mm)	3 3/4" (95mm)	
2'	25 1/8" (638mm)	18" (457mm)	3 3/4" (95mm)	
3'	37 1/8" (943mm)	10" (254mm)	3 3/4" (95mm)	13 27/32" (356mm)
4'	49 1/8" (1248mm)	14" (356mm)	3 3/4" (95mm)	14" (356mm)



### SPECIFICATIONS

**Performance:** Installation of a 2 lamp 40W luminaires in a room cavity ratio of 1, with reflectance of 80% ceiling, 50% wall and 20% floor, the C.U. shall not be less than .54

**Materials:** Chassis - 14 gauge cold rolled steel. Maximum, Medium and Minimum. 12Ga. Super Max.

Door Frame - 14 gauge cold rolled steel with all seams welded and ground smooth and secured with Torx center pin hardened steel. 12Ga. Super Max.

tamperproof flush captive bolts to assure a tight seal against the mounting surface.

Mounting Pan - 16 gauge cold rolled steel piano hinge.

Unitized Reflector - 20 gauge cold rolled steel supports all electrical components.

Shielding - S = .500" ultraviolet stabilized polycarbonate with .125" prismatic acrylic overlay

X = .375" ultraviolet stabilized polycarbonate with .125" prismatic acrylic overlay

D = .250" ultraviolet stabilized polycarbonate with .125" prismatic acrylic overlay

N = .187" ultraviolet stabilized polycarbonate with .125" prismatic acrylic overlay

Shielding secured with 14 gauge cold rolled steel continuous rails on all four sides.

**Finish:** Chassis Exterior - white baked enamel.

**Electrical:** Thermally protected class "P" ballast C.B.M. approved. Non PCB. If K.O. is within 3" of ballast, use wire suitable for at least 90degrees.

**Labels:** cUL Listed