

# TAD Wall Wash

## Surface Linear Direct

Suitable for row mounting



FIXTURE TYPE	VOLTS
JOB INFORMATION	

### Ordering Information

**TAD**



Nominal Size  
2 = 24"  
3 = 36"  
4 = 48"  
5 = 60"  
8 = 96"



Lamp Quantity

1  
2  
4



Lamp Output  
14W 32W  
17W 35W  
21W 39W  
24W 54W  
25W 59W  
28W 80W



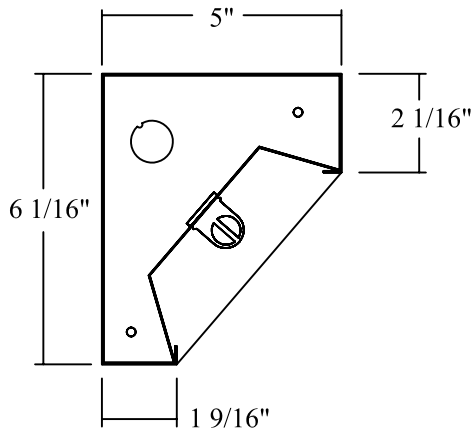
Voltage  
120V  
220V  
347V



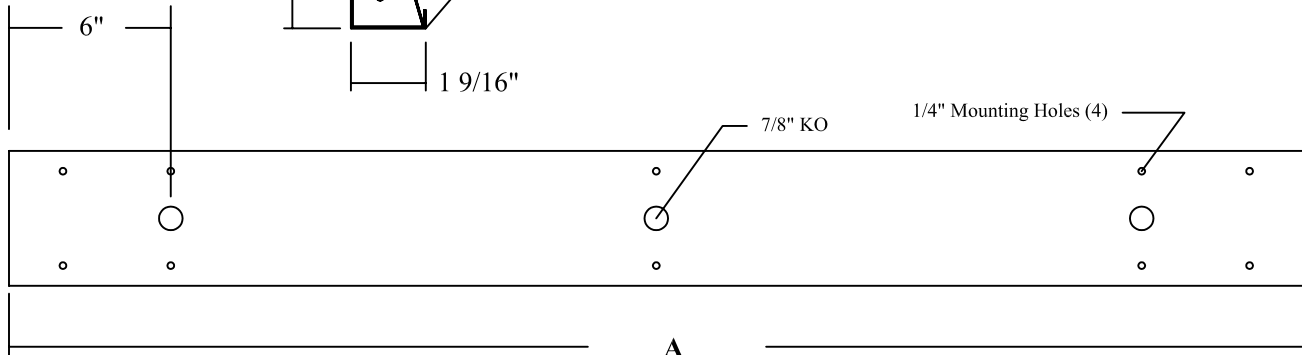
Ballast  
IS = Instant Start  
RS = Rapid Start  
PS = Programmed Start



Options  
SR = Miro IV Reflector  
Consult factory for other options



A	T5	T8
2 ft	22 7/16"	24 1/4"
3 ft	34 1/4"	36 1/4"
4 ft	46 1/16"	48 1/4"
5 ft	57 7/8"	60 1/4"
8 ft	92 1/16"	96 1/4"



Dimensions subject to change without notice

#### SPECIFICATIONS

Materials: Chassis - 22 ga. cold rolled steel

Finish: Chassis Exterior - Pre-painted white

Electrical: All wiring is non hygroscopic. Thermally protected class "P" ballast C.B.M. approved. Non PCB. If K.O. is within 3" of ballast, use wire suitable for at least 90 degrees.

Reflector: Hi-Gloss White Standard

Labels: cUL Listed