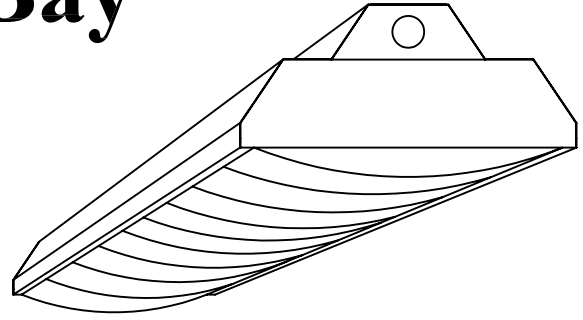


# TL2 T5 / T8 High Bay

## Linear Direct / Indirect

Surface / Pendant

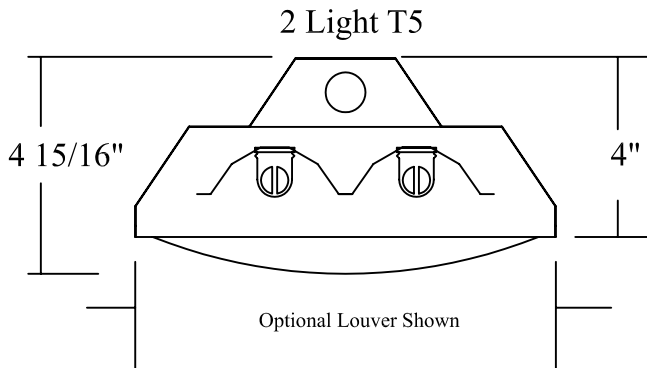
Industrial premium linear lighting.  
 Surface mounted or suspended.  
 Direct with optional uplight.  
 Large area light distribution indented for retail,  
 warehouse, manufacturing and commercial use.  
 Can be modified to suit damp locations



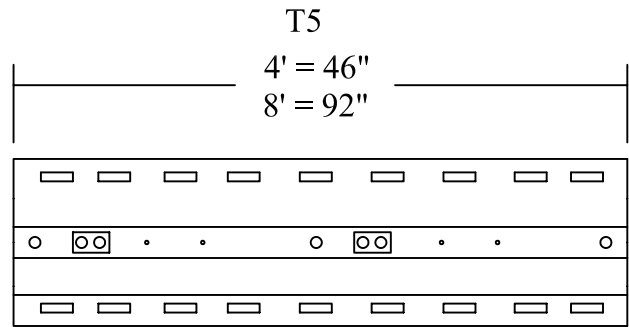
FIXTURE TYPE	VOLTS
JOB INFORMATION	

### Ordering Information

<b>TL2</b>								
Lighting	Nominal Size	Fixture Width	Lamp Quantity	Lamp Output	Voltage	Ballast	Options	
D = Down U = Up/Down	2 = 24" 3 = 36" 4 = 48" 8 = 96"	A B C D	2 3 4 6 8	14W 17W 21W 24W 25W 28W 32W 39W 54W	120V 220V 347V	IS = Instant Start RS = Rapid Start PS = Programmed Start	BFW = 1" Baffle (white) BFS = 1" Baffle (silver) PL = Polycarbonate Lens WG = Wire Guard Consult factory for other options	



- A = 5 3/4" 2lt T5 , 2lt T8
- B = 9 1/4" 4lt T5 , 3lt T5 , 2lt T5/T8
- C = 13 1/4" 4lt T5 , 3lt T5/T8 , 2lt T5/T8
- D = 17 1/2" 6lt T5 , 4lt T5/T8 , 3lt T5/T8 , 2lt T5/T8



#### SPECIFICATIONS

Materials: Chassis - 22 ga. cold rolled steel

Reflector - Miro 4 specular aluminum

Finish: Chassis Exterior - Hi-Gloss Powder coated white

Electrical: All wiring is non hygroscopic. Thermally protected class "P" ballast C.B.M. approved. Non PCB. If K.O. is within 3" of ballast, use wire suitable for at least 90 degrees.

Labels: cUL Listed

Rev: April 12,2005