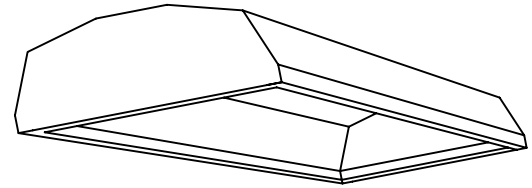


# TL9 T8/T5 Gym Light

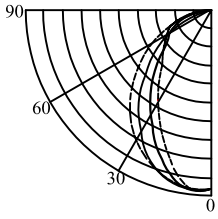
## Low Profile Aluminum Construction

Surface / Pendant



Manufacturing, Warehouse, Retail, Commercial, Gymnasium

coefficients of utilization zonal cavity method



2x2 6LT 24w T5

RC	0.9			0.7			0.5			
	RW	0.7	0.5	0.3	0.7	0.5	0.3	0.5	0.3	0.1
0	113	113	113	108	108	108	103	103	103	
1	104	99	95	99	95	92	91	88	86	
2	95	87	81	90	84	76	80	76	72	
3	87	77	69	83	74	68	72	66	61	
4	80	69	61	76	66	59	64	58	53	
5	74	62	54	70	60	53	58	51	46	
6	69	56	48	65	55	47	53	46	41	
7	64	51	43	61	50	42	48	42	37	
8	60	47	39	57	46	39	45	38	33	
9	56	43	36	54	42	35	41	35	30	
10	53	40	33	50	39	33	38	32	28	

FIXTURE TYPE	VOLTS
JOB INFORMATION	

### Ordering Information

**TL9**



Lamp Quantity

- 3
- 4
- 6



Lamp Output

- 32W
- 54W



Voltage

- 120V / 277V
- 277V / 347V
- 347V / 480V



Ballast

- IS = Instant Start
- RS = Rapid Start
- PS = Programmed Start



Reflector

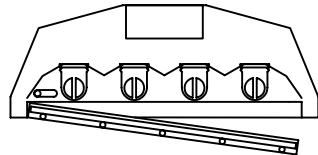
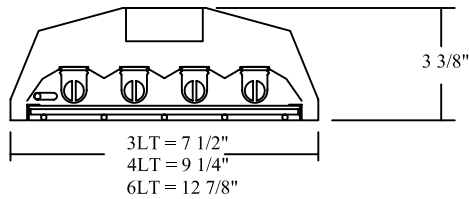
- S = Specular
- W = Hi Gloss White



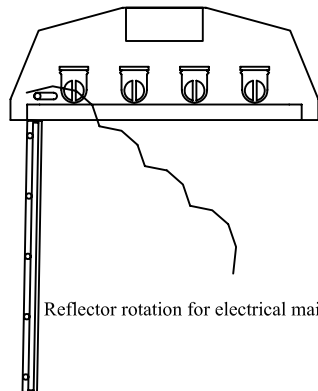
Options

- AL = Acrylic Lens
- DF = Door Frame
- LP = Lamps Installed
- OS = Occupancy Sensor
- PL = 1/16" Polycarbonate Lens
- 8WG = 9 GA Wire Guard

4light with optional door frame and wire guard shown



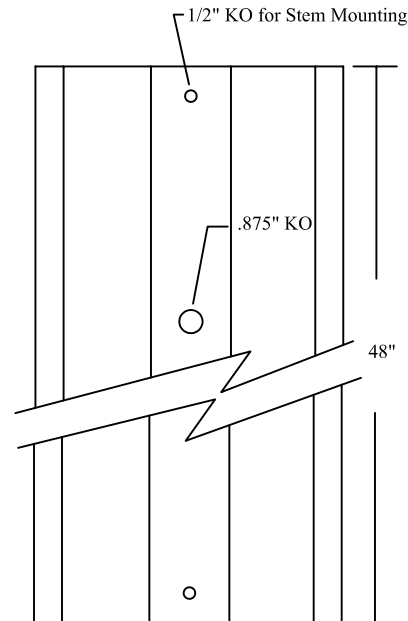
Door Frame rotation for lamp maintenance



Reflector rotation for electrical maintenance



S Hook Mounting Bracket (2 supplied / fixture)



Custom Sizes Available

Dimensions subject to change without notice

### SPECIFICATIONS

Materials: Chassis - 20 ALUMINUM

Reflector - Hi-Gloss White or specular aluminum

Finish: Chassis Exterior - white baked enamel.

Electrical: Thermally protected class "P" ballast C.B.M. approved. Non PCB. If K.O. is within 3" of ballast, use wire suitable for at least 90degrees.

Labels: cUL Listed