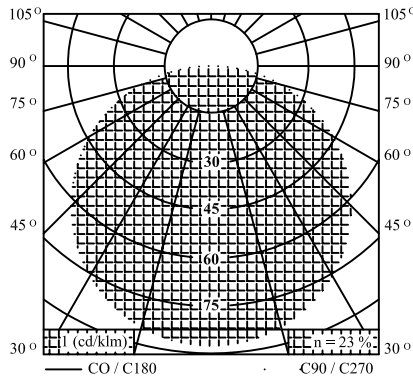
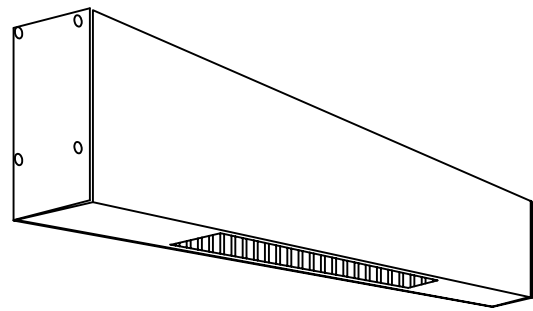


TL BONVILLE

Linear Direct / Indirect

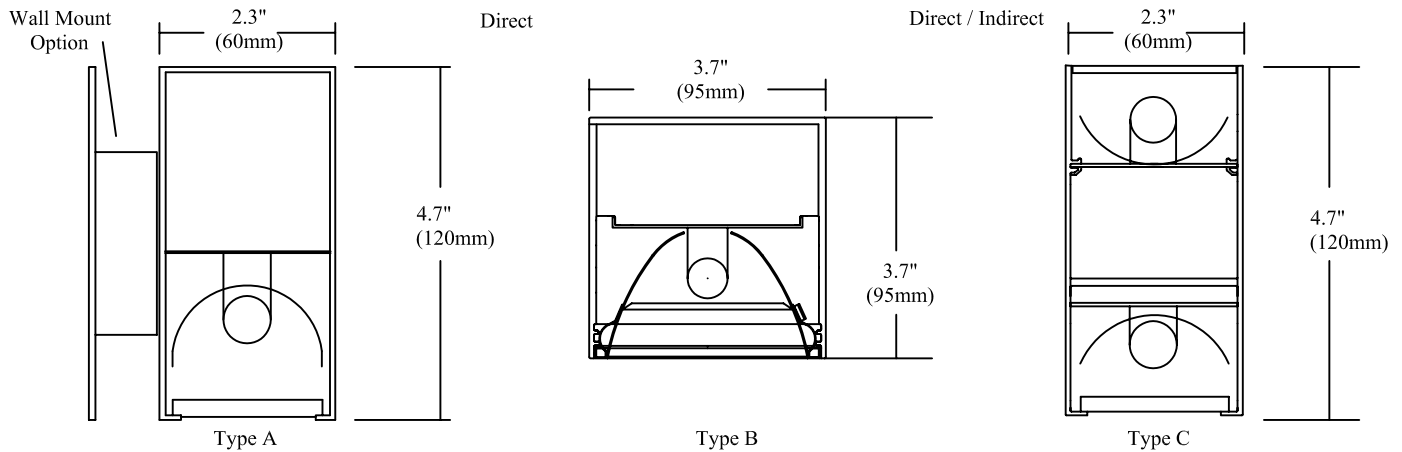
Pendant / Surface / Recessed / Wall



FIXTURE TYPE	VOLTS
JOB INFORMATION	

Ordering Information

TL											
Bonville	Mounting	Nominal Size	Type	Lamp Quantity	Lamp Output	Voltage	Ballast	Color	Cable	Options consult factory	
	P=Pendant R=Recessed S=Surface	2 = 24" 3 = 36" 4 = 48" 5 = 60" 6 = 72" 8 = 96"	A = 120mm B = 95mm C = 120mm	A & B 2' = 1 3' = 1 4' = 1 5' = 1 C 2' = 2 3' = 2 4' = 2 5' = 2	14W 24W 28W 35W 54W 80W	120V 220V 347V	T5	AA = Alu BK = Black WH = White	18" 24" 36" 48"		



SPECIFICATIONS

- Materials:** Chassis - .045" cold rolled steel
Shielding - Type "A" & "C" .075" extruded clear acrylic
- Type "B" Aluminum high efficiency louver
End Caps - CRS secured to chassis with countersunk screws
- Reflector:** Optional Aluminum high reflectance
- Finish:** Chassis Exterior - Baked powder paint. Colours on request.
- Electrical:** All wiring is non hygroscopic. Thermally protected class "P" ballast C.B.M. approved. Non PCB. If K.O. is within 3" of ballast, use wire suitable for at least 90 degrees.
- Labels:** cUL Listed