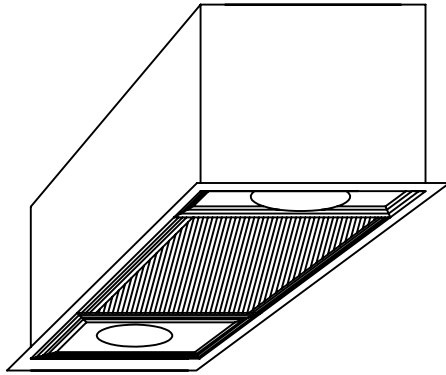


TL Cube 6 T8 / T5

Linear Direct

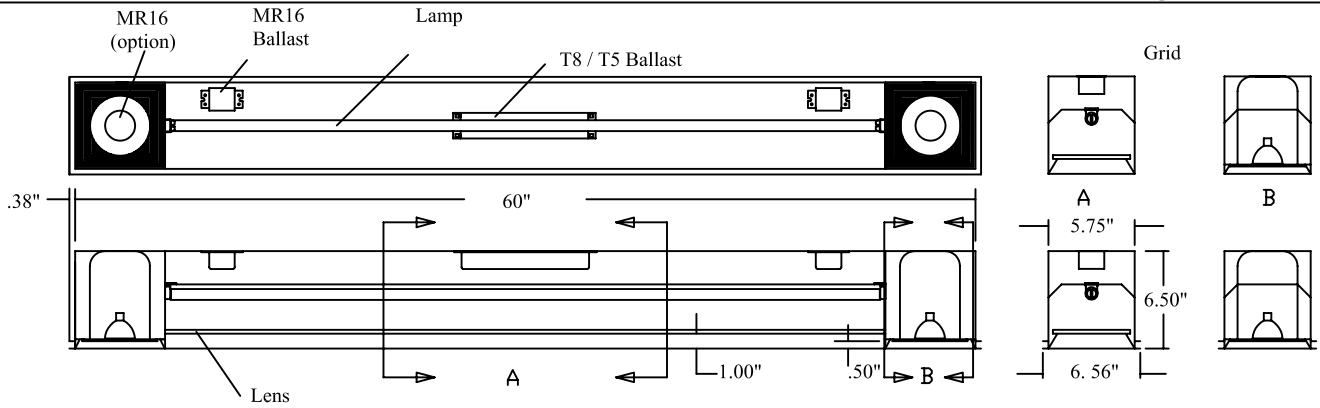
Surface / Pendant / Flange / Grid



FIXTURE TYPE	VOLTS
JOB INFORMATION	

Ordering Information

TL6								
Mounting	Nominal Size	Lamp Quantity	Lamp Output	Lamp Type	Voltage	Ballast	Options	
F = Flange G = Grid S = Surface P = Pendant	2 = 24" 3 = 36" 4 = 48" 5 = 60" 6 = 72" 8 = 96"	1 2 3 4 6	14W 25W 17W 32W 21W 35W 24W 39W 28W 54W	T5 T8	120V 220V 347V	IS = Instant Start RS = Rapid Start PS = Programmed Start E = Electronic M = Magnetic	BF = 1" Baffle EB = Emergency Ballast LN12 = 1/8" Clear Frost Lens LN18 = 3/16" Clear Frost Lens LN25 = 1/4" Clear Frost Lens MR1 = 1x MR16 12 Volt MR2 = 2 x MR16 12 Volt SG = Staggered Lamps Consult factory for MR16 Trim Options	



Dimensions subject to change without notice

SPECIFICATIONS

Materials: Chassis - 22 ga. cold rolled steel post painted White powder coat finish
 Custom colors and finish available
 Reflector - Hi-Gloss white standard
 Optional Miro 4 specular aluminum

Shielding: See Options

Electrical: All wiring is non hygroscopic. Thermally protected class "P" ballast C.B.M. approved. Non PCB. If K.O. is within 3" of ballast, use wire suitable for at least 90 degrees.

Labels: cUL Listed