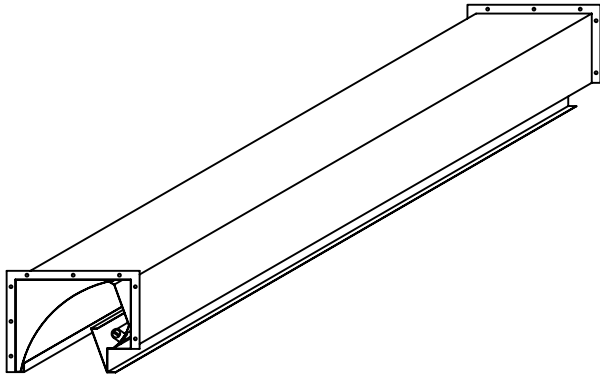


# TL Cube 7 T8 / T5

## Linear Direct Wall Wash

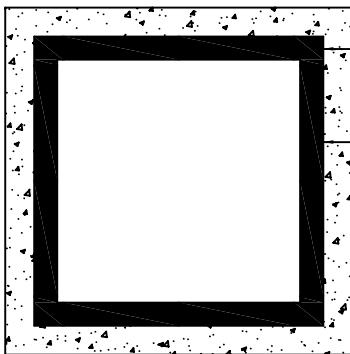
Surface / Pendant / Flange / Grid



FIXTURE TYPE	VOLTS
JOB INFORMATION	

### Ordering Information

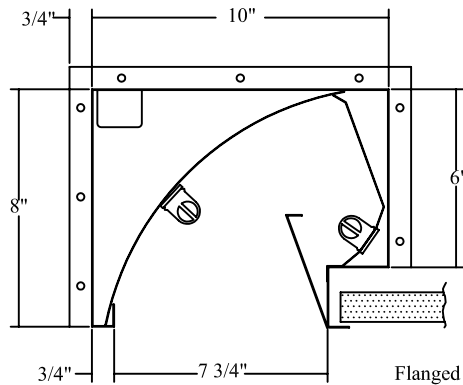
<b>TL7</b>							
Mounting	Nominal Size	Lamp Quantity	Lamp Output	Lamp Type	Voltage	Ballast	Options
F = Flange G = Grid S = Surface P = Pendant	2 = 24" 3 = 36" 4 = 48" 5 = 60" 6 = 72" 8 = 96"	1 2 3 4 6	14W 25W 17W 32W 21W 35W 24W 39W 28W 54W	T5 T8	120V 220V 347V	IS = Instant Start RS = Rapid Start PS = Programmed Start E = Electronic M = Magnetic	CK = Ceiling Kit CF = Clear Frost Lens OP = Opal Lens  Consult factory for Other options



INSIDE MITERED CORNER  
STD. ILLUMINATED SECTIONS

RUN AND PATTERNS

Dimensions subject to change without notice



Flanged

#### SPECIFICATIONS

Materials: Chassis - 20 ga. cold rolled steel post painted White powder coat finish  
 Custom colors and finish available  
 Reflector - Hi-Gloss white standard  
 Optional Miro 4 specular aluminum

Shielding: See Options

Electrical: All wiring is non hygroscopic. Thermally protected class "P" ballast C.B.M. approved. Non PCB. If K.O. is within 3" of ballast, use wire suitable for at least 90 degrees.

Labels: cUL Listed