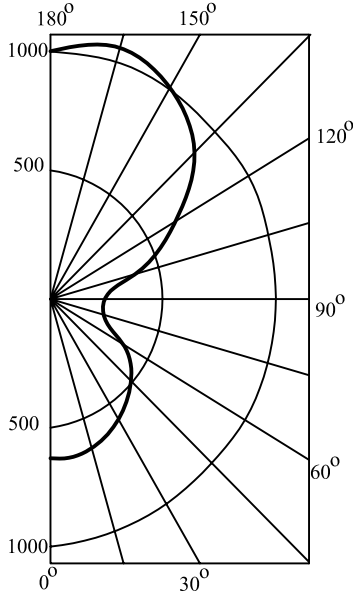
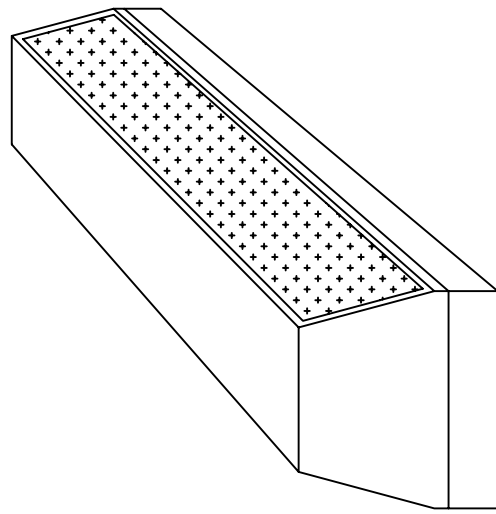


# TM BED 3

Above Bed Wall Mounted Direct / Indirect Luminaires

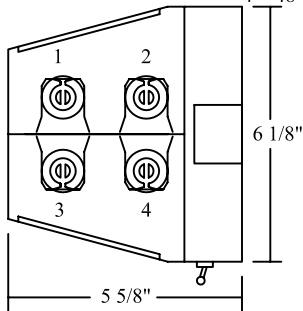


FIXTURE TYPE	VOLTS
JOB INFORMATION	

## Ordering Information

TM
B3

Nominal Size	Lamp Configuration	Voltage	Ballast	Watt
2 = 24"	1= 1up / 1 Down	120V	T5	17
3 = 36"	2= 1 up / 2Down	220V	T8	21
4 = 48"	3= 2 up / 1 Down	347V		24
	4 = 2up / 2 Down			25
				28
				32
				39
				54



### OPTIONS

<u>RFI FILTER.</u>		Suffix <b>R</b>
<u>NIGHT LIGHT.</u>	Compact Fluorescent up	Suffix <b>CFU</b>
	Compact Fluorescent Down	Suffix <b>CFD</b>
<u>PULL SWITCH.</u>	2 Way Left Side	Suffix <b>S2L</b>
	4 Way Left Side	Suffix <b>S4L</b>
	2 Way Right Side	Suffix <b>S2R</b>
	4 Way Right Side	Suffix <b>S4R</b>
<u>CONVENIENCE OUTLET.</u>	Left Side	Suffix <b>COL</b>
	Right Side	Suffix <b>COR</b>
<u>SEQUENTIAL SWITCH</u>		Suffix <b>SS</b>

### SPECIFICATIONS

Materials: Chassis - 20 Gauge Steel Body  
Shielding - Acrylic Pattern 12 Refractors

Reflector: Pre Coat Steel High Gloss

Finish: Chassis Exterior - Anodized or Baked powder paint. Colours on request.

Electrical: All wiring is non hygroscopic. Thermally protected class "P" ballast C.B.M. approved. Non PCB. If K.O. is within 3" of ballast, use wire suitable for at least 90 degrees.

Labels: cUL Listed