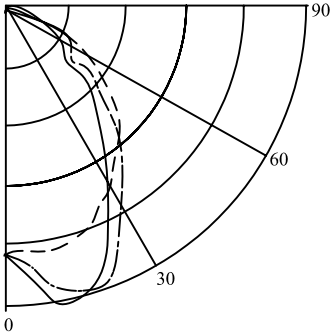
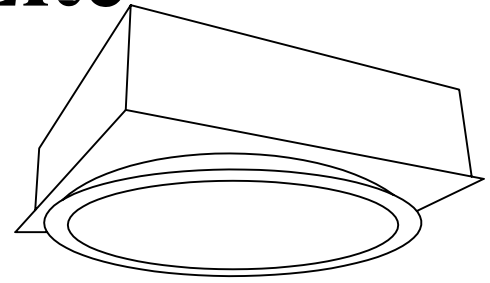


# TRDSL Round Sky Lite

## Recessed

Retail, Commercial, Lobby



coefficients of utilization — zonal cavity method

	RF	20			20			20		
	RC	80			70			50		
	RW	70	50	30	50	30	10	50	30	10
1	room cavity ratio	109	105	102	103	100	97	99	96	94
2		101	94	88	92	87	82	89	84	81
3		93	84	77	83	76	71	80	75	70
4		86	76	68	74	67	62	72	66	61
5		79	68	60	67	59	53	65	58	53
6		73	61	53	60	52	47	58	52	46
7		68	55	47	54	47	41	53	46	41
8		62	50	42	49	41	36	48	41	36
9		58	45	37	44	37	31	43	36	31
10		53	41	33	40	33	28	39	32	28

FIXTURE TYPE	VOLTS
JOB INFORMATION	

## Ordering Information

**TRDSL**

Nominal Size

24  
36  
48

Lamp Qty

2  
4  
6  
8

Lamp Output

14W 17W  
21W 24W  
25W 28W  
32W 39W  
40W 54W

Voltage

120V  
220V  
347V

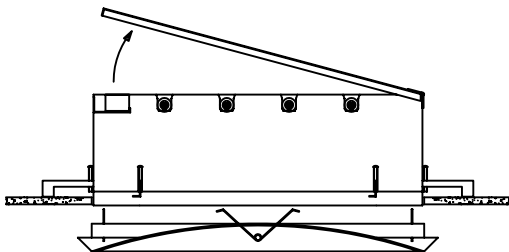
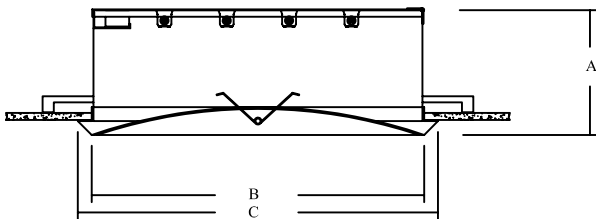
Ballast

IS = Instant Start  
RS = Rapid Start  
PS = Programmed Start

Options

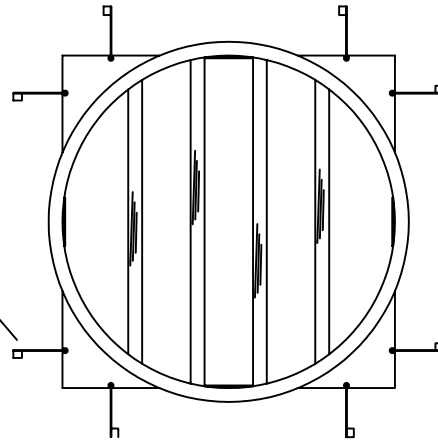
PL = Polycarbonate Lens  
RA = Rear Access  
TS = Tamper Proof Screw

Consult factory for other options



Rear Access Option Shown

Ceiling Hold Down Clamp



Dim	24	36	48
A	9"	9"	9"
B	24 1/2"	36 1/2"	48 1/2"
C	26"	38"	50"

Dimensions subject to change without notice

### SPECIFICATIONS

Materials: Chassis - 20 gauge cold rolled steel.

Lens - Opaque Acrylic

Finish: Chassis Exterior - white baked enamel.

Electrical: Thermally protected class "P" ballast C.B.M. approved. Non PCB. If K.O. is within 3" of ballast, use wire suitable for at least 90degrees.

Labels: cUL Listed