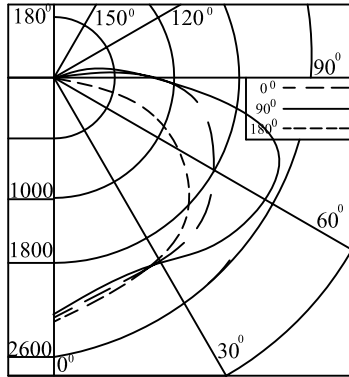


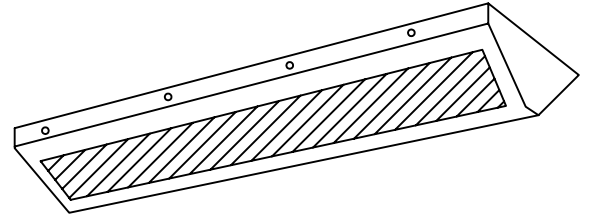
TS" F" SURFACE MOUNT

Maximum / Medium / Minimum



coefficients of utilization — zonal cavity method	
RF	20 20 20
RC	80 70 50
RW	70 50 30 50 30 10 50 30
room cavity ratio	1 58 55 52 51 49 47 48 47
	2 53 47 43 44 40 38 42 39
	3 48 41 36 38 34 31 36 33
	4 43 36 31 34 29 26 32 28
	5 40 32 27 30 26 22 29 25
	6 37 29 24 27 23 19 26 22
	7 34 26 21 24 20 17 23 20
	8 32 24 19 22 18 15 21 18
	9 29 22 17 21 16 14 20 16
	10 28 20 16 19 15 12 18 15

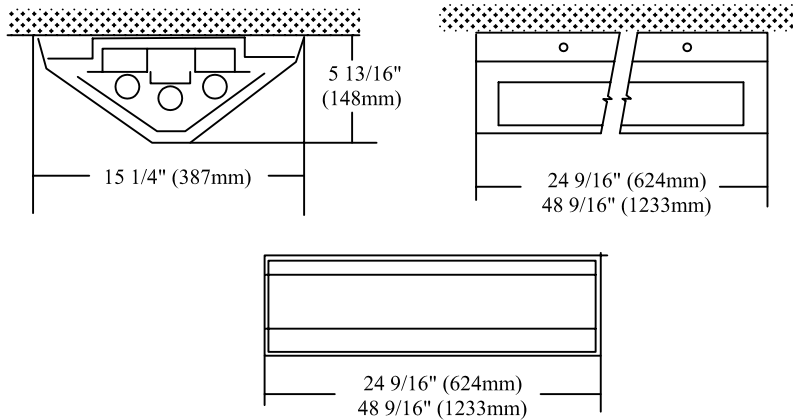
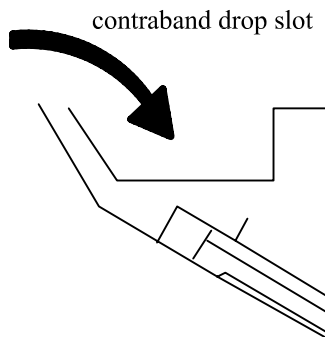
2 lamp 2' 120V energy saving T12



FIXTURE TYPE	VOLTS
JOB INFORMATION	

Ordering Information

TS	F	15						X
	Dual Wedge		Lens Type	Lamp Quantity	Lamp Length	Voltage	Ballast	Options consult factory
			X = Maximum	1	24-T8	120V	32W T8	
			D = Medium	2	48-T8	277V		
			N = Minimum	3		347V		



SPECIFICATIONS

Performance: Installation of a 2 lamp 40W luminaries in a room cavity ratio of 1, with reflectance of 80% ceiling, 50% wall and 20% floor, the C.U. shall not be less than .54

Materials: Chassis - 14 gauge cold rolled steel. Maximum, Medium and Minimum.

Door Frame - 14 gauge cold rolled steel with all seams welded and ground smooth and secured with allenhead center pin hardened steel. tamperproof flush captive bolts to assure a tight seal against the mounting surface. Designed to assure a tight seal against mounting surface to eliminate contraband hiding places.

Mounting Pan - 16 gauge cold rolled steel full length continuous piano hinge.

Unitized Reflector - 20 gauge cold rolled steel supports all electrical components.

Shielding - X = .250" ultraviolet stabilized polycarbonate with .125" prismatic acrylic overlay

D = .250" ultraviolet stabilized polycarbonate with .125" prismatic acrylic overlay

N = .140 KSH -12 Acri-Tuf.L3

Shielding secured with 14 gauge cold rolled steel continuous rails on all four sides.

Finish: Chassis Exterior - white baked enamel.

Electrical: Thermally protected class "P" ballast C.B.M. approved. Non PCB. If K.O. is within 3" of ballast, use wire suitable for at least 90degrees.

Labels: cUL Listed