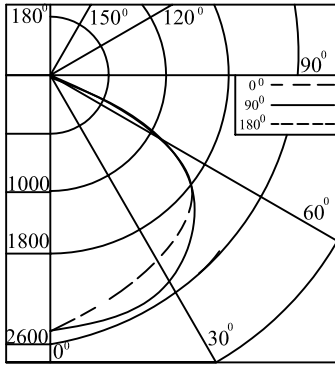


# TS"L" SURFACE MOUNT

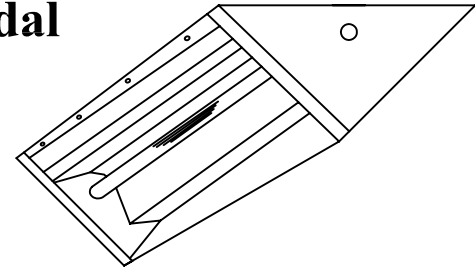
## Maximum / Medium / Minimum / Vandal



coefficients of utilization — zonal cavity method

RF	20			20			20		
RC	80			70			50		
RW	70	50	30	50	30	10	50	30	10
1	64	61	59	60	58	56	57	56	56
2	58	54	50	53	49	46	50	48	48
3	53	47	43	46	42	39	45	41	41
4	49	42	37	41	37	33	40	36	36
5	45	37	32	37	32	28	35	31	31
6	41	33	28	33	28	24	32	27	27
7	38	30	25	29	25	21	29	24	24
8	35	27	22	26	22	18	26	21	21
9	32	24	19	24	19	16	23	19	19
10	30	22	17	22	17	14	21	17	17

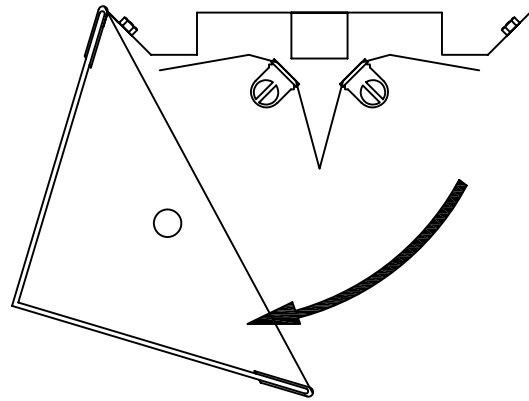
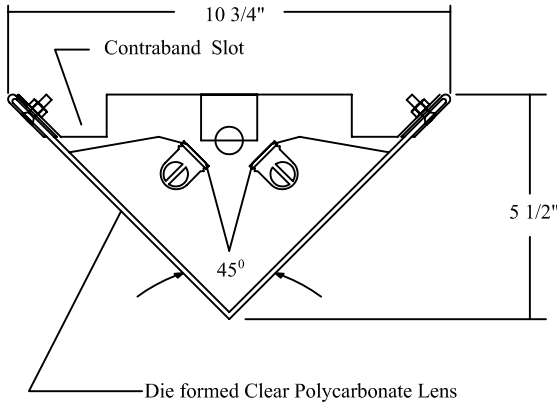
2 lamp 2' 120V energy saving T12



FIXTURE TYPE	VOLTS
JOB INFORMATION	

### Ordering Information

<b>TS</b>	<b>L</b>								<b>X</b>
Linear	Nominal Length 2 = 2' 3 = 3' 4 = 4'	Lens Environment X = Maximum D = Medium N = Minimum V = Vandal Proof	Lens Overlay A = .125 Acrylic N = None	Lamp Quantity 1 2 3 4	Lamp 14W 32W 17W 35W 21W 39W 25W 54W 28W	Voltage 120V 277V 347V	Ballast IS = Instant Start PS = Program Start RS = Rapid Start	Options consult factory	



### SPECIFICATIONS

**Performance:** Installation of a 2 lamp 40W luminaries in a room cavity ratio of 1, with reflectance of 80% ceiling, 50% wall and 20% floor, the C.U. shall not be less than .54

**Materials:** Chassis - 14 gauge cold rolled steel. Maximum, Medium and Minimum. 16 gauge cold rolled steel Vandal Proof  
 Door Frame - Die formed Polycarbonate lens fastened to End Plates to make a one piece door frame.  
 14 gauge cold rolled steel with all seams welded and ground smooth and secured with allenhead center pin hardened steel.  
 tamperproof flush captive bolts to assure a tight seal against the mounting surface. Designed to assure a tight seal against mounting surface to eliminate contraband hiding places. Steel piano hinge.  
 Mounting Pan - 16 gauge cold rolled steel.  
 Unitized Reflector - 20 gauge cold rolled steel supports all electrical components.  
 Shielding - X = .250" ultraviolet stabilized polycarbonate  
 D = .250" ultraviolet stabilized polycarbonate  
 N = .187" ultraviolet stabilized polycarbonate  
 V = .125" ultraviolet stabilized polycarbonate  
 Shielding secured with 14 gauge cold rolled steel continuous rails on sides.

**Finish:** Chassis Exterior - white baked enamel.

**Electrical:** Thermally protected class "P" ballast C.B.M. approved. Non PCB. If K.O. is within 3" of ballast, use wire suitable for at least 90degrees.

**Labels:** cUL Listed