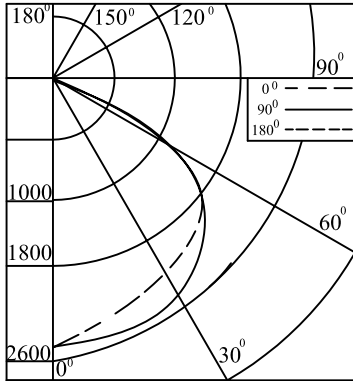


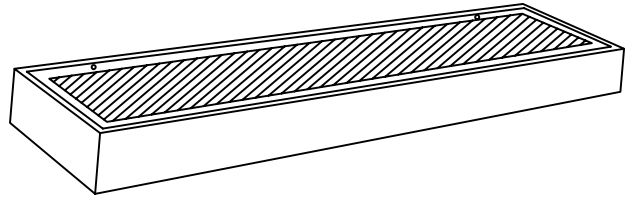
TTE Surface/Pendant/Recessed Direct



coefficients of utilization — zonal cavity method

	RF	RC	RW	room cavity ratio							
	20	80	70	70	50	30	50	30	10	50	30
1	64	61	59	60	58	56	57	56			
2	58	54	50	53	49	46	50	48			
3	53	47	43	46	42	39	45	41			
4	49	42	37	41	37	33	40	36			
5	45	37	32	37	32	28	35	31			
6	41	33	28	33	28	24	32	27			
7	38	30	25	29	25	21	29	24			
8	35	27	22	26	22	18	26	21			
9	32	24	19	24	19	16	23	19			
10	30	22	17	22	17	14	21	17			

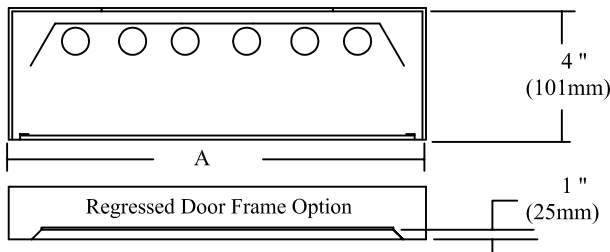
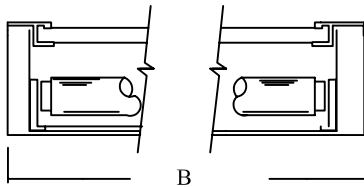
2 lamp 2' 120V energy saving T12



FIXTURE TYPE	VOLTS
JOB INFORMATION	

Ordering Information

TTE	<input type="text"/>	<input type="text"/>	<input type="text"/>	<input type="text"/>	<input type="text"/>	<input type="text"/>	<input type="text"/>	<input type="text"/>
Mounting	Nominal Size	Lens	Lamp Quantity	Lamp Type	Voltage	Ballast	AL = Aluminum Door Frame AR = Air Return EB = Emergency Ballast RD = Regressed Door Frame SR = Specular Reflector SS = Stainless Door Frame consult factory for additional options	
F = Flanged* G = Grid S = Surface	1 = 1x4 2 = 2x2 4 = 2x4 44 = 4x4**	1A = .125 Acrylic 1P = .125 Polycarbonate 2A = .187 Acrylic 2P = .187 Polycarbonate 3P = .250 Polycarbonate N = None	2 4 6 8	17 32 21 39 24 40 (u) 25 54 28	120V 277V 347V	IS = Instant Start PS = Program Start RS = Rapid Start		



Optional Contoured Specular Reflector

	1X4	2X2	2X4	4X4
A	12" (304mm)	24" (609mm)	24" (609mm)	48" (1219mm)
B	48" (1219mm)	24" (609mm)	48" (1219mm)	48" (1219mm)

Nominal dimensions subject to change without notice

* Plaster Frame Kit Required

** 4X4 Door Frame utilizes a cross frame with 4 separate lenses.

SPECIFICATIONS

Performance: Installation of a 2 lamp 32W luminaries in a room cavity ratio of 1, with reflectance of 80% ceiling, 50% wall and 20% floor, the C.U. shall not be less than .54

Materials: Chassis - 20 gauge cold rolled steel. Optional Stainless Steel 304
Mounting Pan - 22 gauge cold rolled steel.

Door Frame - 20 ga cold rolled steel. Optional Stainless Steel 304

Shielding: 1 = .125"ultraviolet stabilized Acrylic
2 = .187 ultraviolet stabilized Acrylic
3 = .177 ultraviolet stabilized Polycarbonate

Finish: Chassis Exterior - white baked enamel.

Electrical: Thermally protected class "P" ballast C.B.M. approved. Non PCB. If K.O. is within 3" of ballast, use wire suitable for at least 90degrees.

Labels: cUL Listed