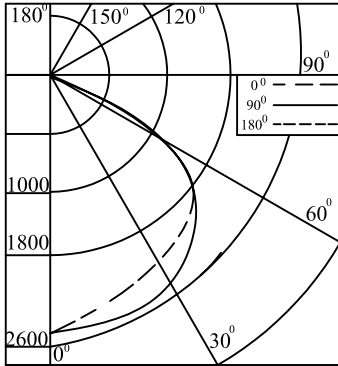


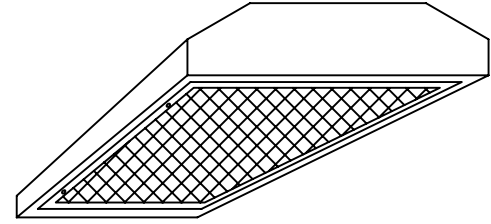
TT "RC" CLEAN ROOM Low Profile



coefficients of utilization — zonal cavity method

	RF	RC			RW			
	20	50	30	50	30	10	50	30
1	57	54	51	52	50	47	49	47
2	51	46	42	45	41	38	42	39
3	46	40	35	39	35	31	37	33
4	42	35	30	34	30	26	33	28
5	38	31	26	30	25	22	29	24
6	35	28	23	27	22	19	26	21
7	33	25	20	24	19	16	23	19
8	30	22	17	22	17	14	21	17
9	28	20	15	20	15	12	19	15
10	26	18	14	18	14	11	17	13

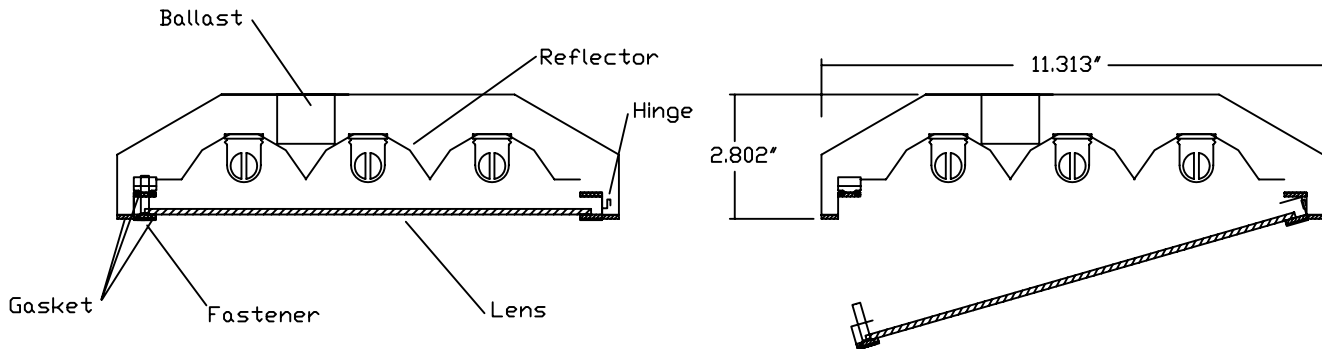
2 lamp 4' 120V energy saving T12



FIXTURE TYPE	VOLTS
JOB INFORMATION	

Ordering Information

TT	RC	1		A					
Recessed Box	Nominal Size	Mounting	Lens Type	Lamp Quantity	Lamp Wattage	Voltage	Ballast	Options	
	1X4	F = Flanged G = Grid	A = Acrylic .125	2 3	28 32 54	120V 277V 347V	IS = Instant Start PS = Programed Start RS = Rapid Start	Consult factory	



SPECIFICATIONS

Performance: Installation of a 2 lamp 40W luminaries in a room cavity ratio of 1, with reflectance of 80% ceiling, 50% wall and 20% floor, the C.U. shall not be less than .54

Materials: Chassis - 20 gauge cold rolled steel.
 Door Frame - 20 gauge cold rolled steel.
 Unitized Housing - 20 gauge cold rolled steel supports all electrical components.
 Shielding - A = .125" ultraviolet stabilized Acrylic
 Shielding sealed and secured with 20 gauge cold rolled steel continuous rails on all four sides

Finish: Chassis Exterior - white baked enamel.
 Electrical: Thermally protected class "P" ballast C.B.M. approved. Non PCB. If K.O. is within 3" of ballast, use wire suitable for at least 90 degrees.
 Labels: cUL Listed