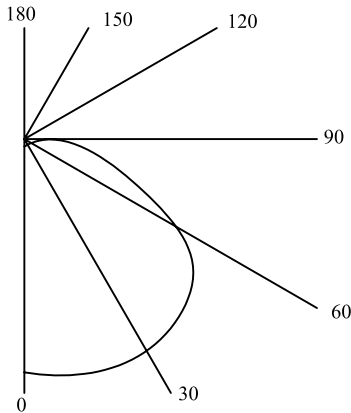
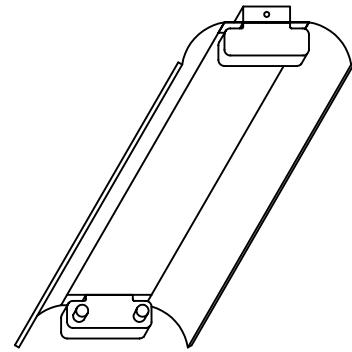


TUR T8 Industrial

Linear Direct / Indirect



RCR	C.U.
1	84
2	71
3	62
4	54
5	47
6	42
7	37
8	33
9	30
10	27



FIXTURE TYPE	VOLTS

Ordering Information

TUR



Reflector

D = Down Light
U = Up / Down



Nominal Size

2 = 24"
3 = 36"
4 = 48"
8 = 96"
8T = Tandem 4ft



Lamp Quantity

2
4



Lamp Output

17W
25W
32W
96W
110W



Voltage

120V
220V
347V



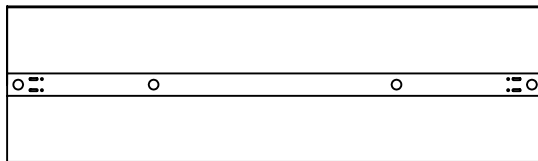
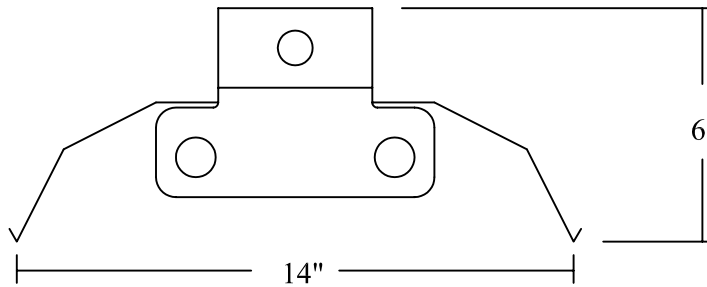
Ballast

IS = Instant Start
RS = Rapid Start

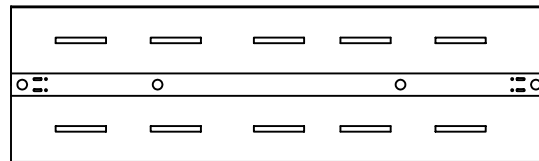


Options

CP = Cord & Plug
WG = Wire Guard
Consult factory for other options



Down Light



Up / Down Light

SPECIFICATIONS

Materials: Chassis - 22 ga. cold rolled steel

Finish: Chassis Exterior - Pre-painted white

Electrical: All wiring is non hygroscopic. Thermally protected class "P" ballast C.B.M. approved. Non PCB. If K.O. is within 3" of ballast, use wire suitable for at least 90 degrees.

Labels: cUL Listed

rev11/06