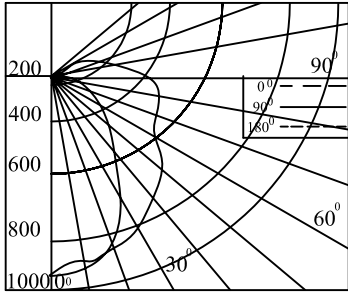


TV"A" SURFACE MOUNT

Vandal Resistant



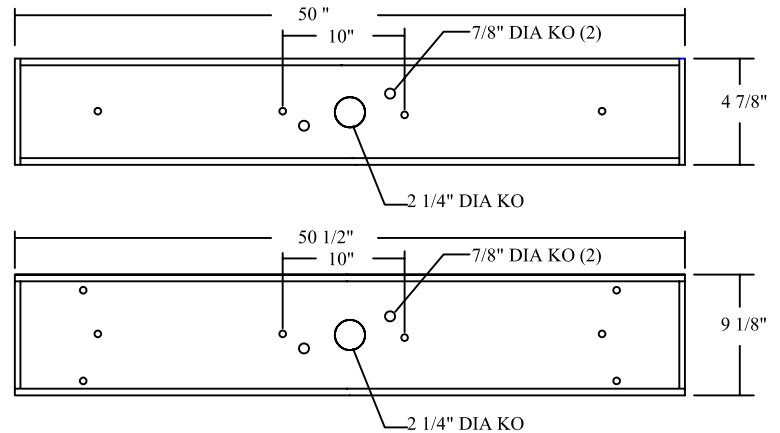
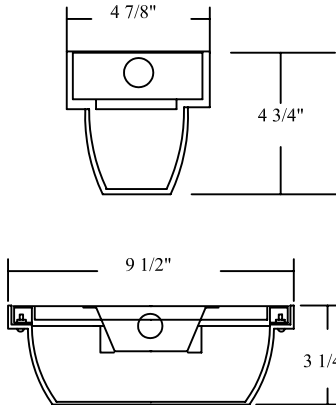
coefficients of utilization		zonal cavity method							
RF	20	20			20				
RC	80	70			50				
RW	70	50	30	50	30	10	50	30	
room cavity ratio	1	58	55	52	51	49	47	48	47
	2	53	47	43	44	40	38	42	39
	3	48	41	36	38	34	31	36	33
	4	43	36	31	34	29	26	32	28
	5	40	32	27	30	26	22	29	25
	6	37	29	24	27	23	19	26	22
	7	34	26	21	24	20	17	23	20
	8	32	24	19	22	18	15	21	18
	9	29	22	17	21	16	14	20	16
	10	28	20	16	19	15	12	18	15

2 lamp 2' 120V energy saving T12

FIXTURE TYPE	VOLTS
JOB INFORMATION	

Ordering Information

TVA						X
Width	Lamp Quantity	Lamp Length	Voltage	Ballast	Options	consult factory
4 = 4 7/8"	1	24	120V	32W T8		
9 = 9 1/2"	2	48	277V			
	3		347V			



SPECIFICATIONS

Performance: Installation of a 2 lamp 40W luminaries in a room cavity ratio of 1, with reflectance of 80% ceiling, 50% wall and 20% floor, the C.U. shall not be less than .54

Materials: Chassis - 20 gauge cold rolled steel. Maximum, Medium and Minimum.
 Shielding - .177" ultraviolet stabilized polycarbonate with prismatic design
 Shielding secured with 14 gauge cold rolled steel continuous rails on all four sides.

Finish: Chassis Exterior - white baked enamel.

Electrical: Thermally protected class "P" ballast C.B.M. approved. Non PCB. If K.O. is within 3" of ballast, use wire suitable for at least 90degrees.

Labels: cUL Listed